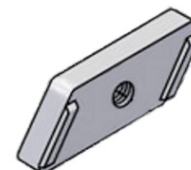


AC Mounting hardware for Anchor Bar A7 profile

Clamping plate with M8 thread made of aluminium for fixation onto Anchor Bar A7 profile

FEATURES / BENEFITS

Lateral lugs for easy handling during installation



Technical Features

GENERAL SPECIFICATIONS

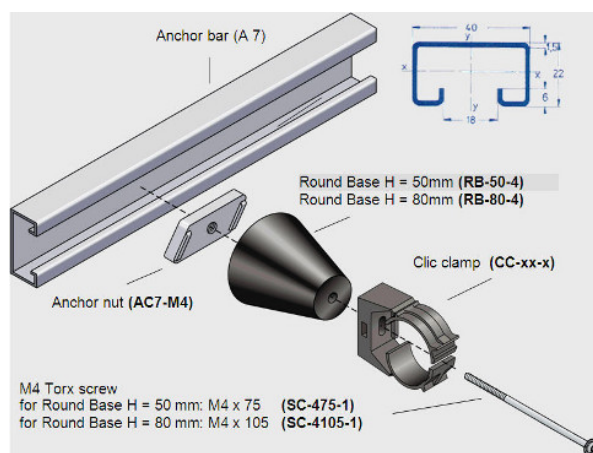
Product Line		Coaxial Cable Accessories Radiating Cable Accessories
Product Type		Hanger
Hanger Type		Clamping plate for anchor bar
Installation Hardware Type		Anchor bar with slotwidth 18 to 22 mm (0.7 to 0.9 inch)
Cable Type		Coaxial Foam Dielectric Radiating Cable

MECHANICAL SPECIFICATIONS

Number of Cable / Waveguide Runs		1
Material		Aluminium

PACKAGING INFORMATION

Package Quantity		1
Weight per piece	kg (lb)	0.012 (0.026)



Installation example

External Document Links

Notes