

Cable hanger for HELIFLEX® Air-dielectric coaxial cable

Hangers for the installation of HELIFLEX® cables on different supporting profiles.
Cable Clamp and Extended Counterbed hot-galvanized steel
Screw: stainless steel.



picture shows the 1L4 version
for illustration purpose only

Technical Features

GENERAL SPECIFICATIONS

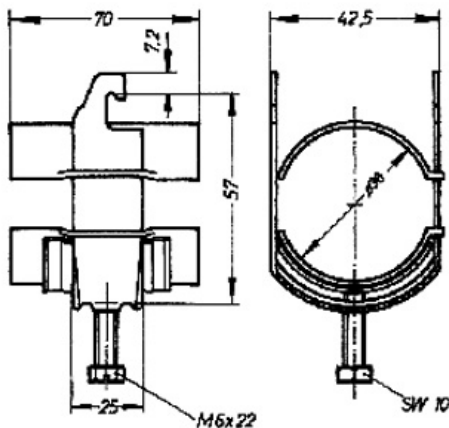
| | | |
|------------------------|--|---|
| Product Line | | Coaxial Cable Accessories |
| Product Type | | Hanger |
| Hanger Type | | Anchor bar 18-22mm (0.71-0.87") |
| Transmission Line Type | | HCA118 |
| Cable Type | | Air Dielectric Coaxial Foam Dielectric |

MECHANICAL SPECIFICATIONS

| | | |
|-------------------------------------|--------|--|
| Cable Size | | 1-1/8" |
| Material | | Cable Clamp : hot-dip galvanized Extended Counterbed : hot-dip galvanized Screw: Stainless steel |
| Recommended / Maximum Clamp Spacing | m (ft) | 0.5 / 0.9 (1.8 / 3) |

PACKAGING INFORMATION

| | | |
|------------------|---------|---------------|
| Package Quantity | | 1 |
| Weight per piece | kg (lb) | 0.125 (0.275) |



External Document Links

Notes

Hangers for anchor bar 18-22 mm (0.71-0.87")