



## Cable hanger for HELIFLEX® Air-dielectric coaxial cable

Hangers for the installation of HELIFLEX® cables on different supporting profiles.  
Cable Clamp and Extended Counterbed hot-galvanized steel  
Screw: stainless steel.



picture shows the 1L4 version for illustration purpose only

### Technical Features

#### GENERAL SPECIFICATIONS

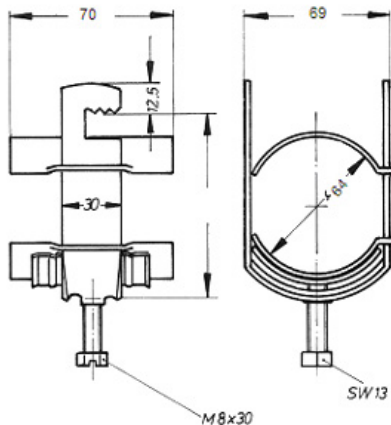
|                        |  |   |
|------------------------|--|---|
| Product Line           |  | Coaxial Cable Accessories                 |
| Product Type           |  | Hanger                                    |
| Hanger Type            |  | Flat iron 6-12mm (0.24-0.47")             |
| Transmission Line Type |  | HCA214                                    |
| Cable Type             |  | Air Dielectric<br>Coaxial Foam Dielectric |

#### MECHANICAL SPECIFICATIONS

|                                     |        |  |
|-------------------------------------|--------|--|
| Cable Size                          |        | 2-1/4"   |
| Material                            |        | Cable Clamp : hot-dip galvanized<br>Extended Counterbed : hot-dip galvanized<br>Screw: Stainless steel |
| Recommended / Maximum Clamp Spacing | m (ft) | 0.8 / 1 (2.75 / 3.25)  |

#### PACKAGING INFORMATION

|                  |         |             |
|------------------|---------|-------------|
| Package Quantity |         | 1           |
| Weight per piece | kg (lb) | 0.25 (0.55) |



#### External Document Links

#### Notes

Hangers for flat iron 6-12 mm (0.24-0.47")