

## Cable hanger for HELIFLEX® Air-dielectric coaxial cable

Hangers for the installation of HELIFLEX® cables on different supporting profiles.  
Cable Clamp and Extended Counterbed hot-galvanized steel  
Screw: stainless steel.



picture shows the 1L4 version  
for illustration purpose only

### Technical Features

#### GENERAL SPECIFICATIONS

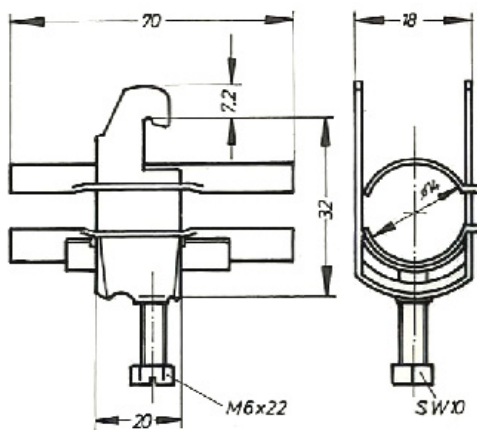
|                        |  |   |
|------------------------|--|---|
| Product Line           |  | Coaxial Cable Accessories                 |
| Product Type           |  | Hanger                                    |
| Hanger Type            |  | Anchor bar 18-22mm (0.71-0.87")           |
| Transmission Line Type |  | HCA38                                     |
| Cable Type             |  | Air Dielectric<br>Coaxial Foam Dielectric |

#### MECHANICAL SPECIFICATIONS

|                                     |        |  |
|-------------------------------------|--------|--|
| Cable Size                          |        | 3/8"   |
| Material                            |        | Cable Clamp : hot-dip galvanized<br>Extended Counterbed : hot-dip galvanized<br>Screw: Stainless steel |
| Recommended / Maximum Clamp Spacing | m (ft) | 0.5 / 0.5 (1.8 / 1.8)  |

#### PACKAGING INFORMATION

|                  |         |              |
|------------------|---------|--------------|
| Package Quantity |         | 1            |
| Weight per piece | kg (lb) | 0.055 (0.12) |



#### External Document Links

#### Notes

Hangers for anchor bar 18-22 mm (0.71-0.87")