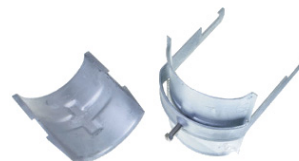


Cable hanger for HELIFLEX® Air-dielectric coaxial cable

Hangers for the installation of HELIFLEX® cables on different supporting profiles.
Cable Clamp and Extended Counterbed hot-galvanized steel
Screw: stainless steel.



picture shows the 1L4 version for illustration purpose only

Technical Features

GENERAL SPECIFICATIONS

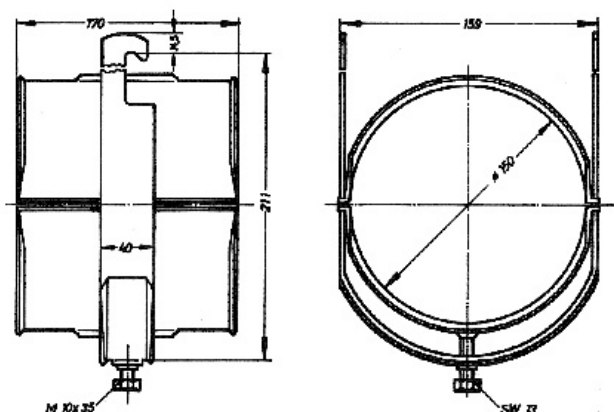
Product Line		Coaxial Cable Accessories
Product Type		Hanger
Hanger Type		Angle iron 40mm (1.575")
Transmission Line Type		HCA550
Cable Type		Air Dielectric

MECHANICAL SPECIFICATIONS

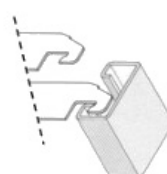
Cable Size		5-1/2"
Material		Cable Clamp : hot-dip galvanized Extended Counterbed : hot-dip galvanized Screw: Stainless steel
Recommended / Maximum Clamp Spacing	m (ft)	1 / 2 (3.3 / 6.6)

PACKAGING INFORMATION

Package Quantity		1
------------------	--	---



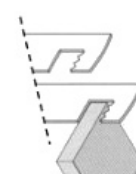
HCH Clamps available for different types of interfaces:



Type C
For anchor bar
(18-22mm slot)



Type L
For angle iron
(in different sizes)



Type R
For flat iron
(6 – 12 mm)

External Document Links

Notes

Hangers for angle iron 40mm (1.575")