



N Female Connector for 1/2" Coaxial Cable, OMNI FIT™ standard, O-ring sealing

OMNI FIT™ high performance connectors are designed for use with both CELLFLEX® (copper) and CELLFLEX® Lite (aluminum) cables. They are designed specifically to provide the highest quality connector-cable interface while simplifying and speeding up connector attachment.

FEATURES / BENEFITS

- ➔ Cost effective two-piece design for safe and easy installation
- ➔ Compatible with copper and aluminium cable types i.e. one connector for both outer conductor materials eliminates the risk of faulty connector installation and helps to keep inventory down
- ➔ Robust mechanical design for low and consistent intermodulation performance i.e. keeps the mobile network performance up reduces the number of dropped calls and avoids revenue losses
- ➔ Superior electrical performance for consistent and repeatable VSWR i.e. ensure network system performance
- ➔ Waterproof to IP 68 i.e. no downtime risk, secures revenue
- ➔ RoHS (EU) and CRoHS (China) compliant i.e. can be used on a global basis



NF-LCF12-C03

Technical Features

GENERAL SPECIFICATIONS

Transmission Line Type		Coaxial Cable
Cable Size		1/2"
Cable Type		Foam Dielectric Radiating
Model Series		LCF12-50 Series ICA12-50 Series
Connector Interface		N
Connector Type		OMNI FIT™ Standard
Sealing Method		O-ring
Gender		Female

ELECTRICAL SPECIFICATIONS

Nominal Impedance	Ohm	50
3rd Order IM Product @ 2x20 Watts	dBc	-160 typical
Maximum Frequency	GHz	6.0
VSWR, Return Loss	VSWR (dB)	0 < f ≤ 1.0 GHz: 1.03 (36.6) 1.0 < f ≤ 2.7 GHz: 1.04 (34.1) 2.7 < f ≤ 3.7 GHz: 1.08 (28.3) 3.7 < f ≤ 5.0 GHz: 1.15 (23.1) 5.0 < f ≤ 6.0 GHz: 1.25 (19.1)

MECHANICAL SPECIFICATIONS

Plating Outer/Inner		Trimetal/Silver
Length	mm (in)	55.3 (2.2)
Outer Diameter	mm (in)	22 (0.87)
Weight	kg (lb)	0.074 (0.163)
Inner Contact Attachment		Spring Finger
Outer Contact Attachment		Spring C-Ring

ACCESSORIES

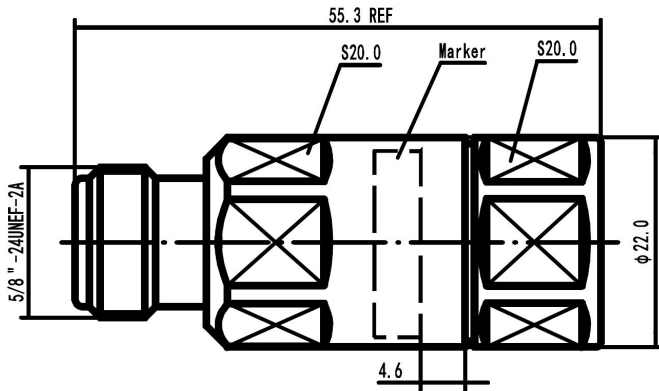
Wrench size front	mm (in)	20 (13/16)
Wrench size rear	mm (in)	20 (13/16)
Trimming Tool		TRIM-SET-L12-C02

TESTING AND ENVIRONMENTAL

Waterproof Level		IP68
------------------	--	------



N Female Connector for 1/2" Coaxial Cable, OMNI FIT™ standard, O-ring sealing



NF-LCF12-C03 Outline drawing

External Document Links

Installation Instruction

Notes